



PROJECT		REF		REV	ITEM CODE	
LOCATION		DATE			PAGE	

SANITARY WARE SPECIFICATION SHEET

Item Descriptions	GROHE (Germany) "Grotherm SmartControl" Triple volume control trim with mounting box
Dimensions	L158 x H158 x W30 mm
Model	29158LS0 (Mixer) 35600000 (Mounting box)
Finish	Moon White Acrylic Glass
Manufacturer	GROHE Limited
Supplier	Acme Sanitary Ware Co. Ltd Mr. Eric Wong/ Mr. Don Yuen
Contact Tel/Fax	(852) 2388-7171 / (852) 2710-8012
E-mail	acme@acmesanitary.com.hk
Website	www.acmesanitary.com.hk

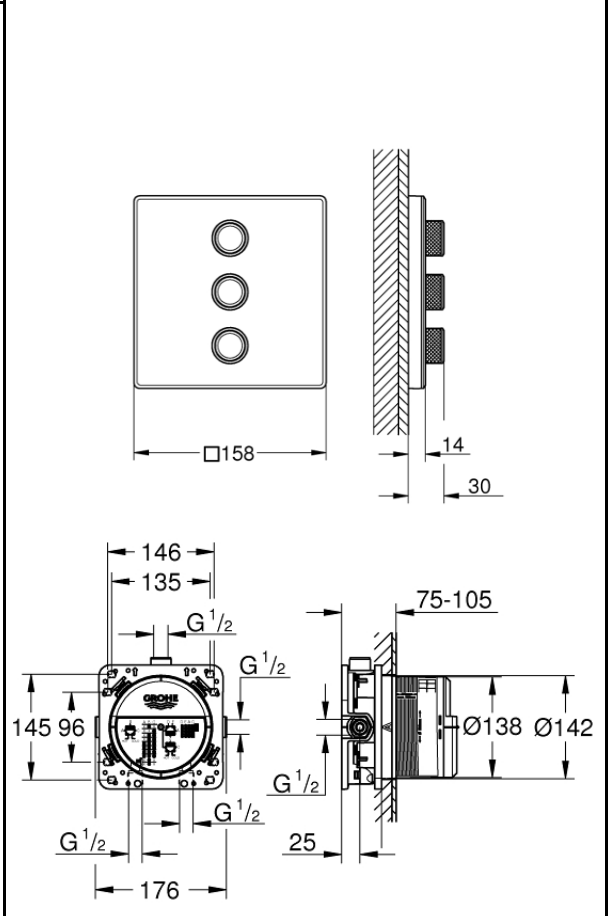


"Grotherm SmartControl" Triple volume control trim

- set for final installation for
- GROHE Rapido SmartBox 35 600/35 604/35 601
- metal wall escutcheon with **GROHE FastFixation** (covered escutcheon and shaft sealing, covered fixing), retroactively 6° adjustable
- 10 mm thin profile escutcheon
- **GROHE StarLight** finish
- **GROHE SmartControl** push for ON-OFF, turn for volume adjustment from EcoJoy to full flow
- exchangeable symbols
- GROHE ProGrip with knurl structure
- multiple outlets can be run simultaneously
- cover plate in moon white acrylic glass
- **without roughing-in-set**
- flow performance:
 outlet D = 28 l/min
 outlet E = 28 l/min
 outlet A = 28 l/min
 outlet D+E+A = 65 l/min
- optional flow reducer for CALGreen compliance included

"GROHE Rapido SmartBox" Universal rough-in box, 1/2"

- 3 outlets 1/2"
- 2 inlets below, 1/2"
- installation depth 75-105 mm
- connection unit in DR brass
- pre-mounted flushing plug
- stable build-in box and protective cover
- fixing options for solid walls and dry cladding
- gasket
- without set for final installation



* All information of the above is for the reference only. No prior notice is made if any changes.



PROJECT		REF		REV	ITEM CODE	
LOCATION		DATE			PAGE	

SANITARY WARE SPECIFICATION SHEET

METAL WALL PLATE

INTERCHANGEABLE SYMBOLS
For customized configurations

CLEAR SYMBOLS
For easy to understand user guidance

KNURLED SURFACE
Allows hand and fingers to get a better grip – even with soapy hands

6°
Angle Adjustable Up To 6°
Slotted fixation holes in Escutcheon Carrier allow trim to be angle adjusted up to 6°
Easy solution for when rough is not completely level

CEILING RAINSHOWER

SHOWER HEAD

BODY SPRAY

HAND SHOWER

GrohTherm® SmartControl Triple Volume Control Trim

GrohTherm® SmartControl Single Function Thermostatic Trim

* All information of the above is for the reference only. No prior notice is made if any changes.



Waters Department

Waters

吉士打道七號入境事務大樓 48 樓

48/F, Immigration Tower, 7 Gloucester Road, Wan Chai, Hong Kong

本署檔號 : (7) in WSD 3321/2020 T/J(352/2020)
Our ref.
來函檔號 :
Your ref.

電話 :
Tel.
傳真 : 2824 0578
Fax.

3 December 2020



Approval of "GROHE" Concealed Mixers (General Acceptance No. C20201107)

Your letter ref. WRC/2172 dated 6 April 2020 subsequent clarifications by email up to 24 November 2020 refer.

Having considered the test report ref. J22649r2 issued on 4 November 2020 by Nutek Systems (HK) Ltd., this Authority accepts that the fittings described below comply with, and their use when correctly installed does not contravene, the Waterworks Ordinance and Regulations.

Name of Manufacturer: Grohe AG

Country of Origin: Germany

Brand: Grohe

Details of Fitting: 1/2" Concealed mixer

Model: 35600000 + 29122XXX
35600000 + 29127XXX
35600000 + 29152XXX
35600000 + 29158XXX
(where the digits "XXX" denote the code of colour)



Body Markings: Nil

Expiry Date: 22 July 2023

This Authority hereby permits the use of the above fittings in fresh water plumbing systems subject to full adherence to Waterworks installation requirements. In particular, you are required to draw your customers' attention to the following requirement-

"The cold water supply to the fittings shall be drawn from the same source that supplies the hot water apparatus so as to provide a balanced pressure and to obviate the risk of scalding in the event of a restriction or failure in the water supply." AND

"The shower head or handspray should not be placed in submerged conditions and should be securely fixed to the original position after use."

A condition of this acceptance is that the fittings to be installed shall be replicas of the samples as certified by the testing agent mentioned above and without modifications. This acceptance may be withdrawn at any time if the standard of the fittings installed fail to meet that of the approved samples or if the fittings are found to be unsuitable for use in fresh water plumbing systems.

This acceptance is only applicable to the main body of the fittings, unless other specified.

For the use of the fittings in any project, the General Acceptance Number of this letter must be quoted as a means of identification of acceptance of the fittings by this Authority.

Should you have any enquiries, please contact our Engineer Mr. Terry KUNG at tel. no. 3583 4086.

Yours faithfully,


(CHAN Chung-kun)

for Director of Water Supplies

Encl.

c.c. WSD 3321/1/82] - without catalogue
ME/MC] - with soft copy only